

## DS-3T0310HP-E/HS

### 8-Port 100M Unmanaged Hi-PoE Switch



DS-3T0310HP-E/HS switches are layer 2 Hi-PoE switches, providing advanced PoE power supply technology and wider temperature (-30 to 65 °C) design on the basis of high-performance access to ensure stable data upload. The switches support Hi-PoE, long range, port isolation, and PoE watchdog function.

### Key Feature

- 6 × 100M PoE ports, 2 × Hi-PoE port, 1 × gigabit RJ45 port and 1 × gigabit SFP fiber optical port.
- IEEE 802.3at/af/bt standard for Hi-PoE ports (Max. 90 W PoE output).
- IEEE 802.3at/af standard for PoE ports (Max. 30 W PoE output).
- IEEE 802.3, IEEE 802.3u, IEEE 802.3x, IEEE 802.3z and IEEE 802.3ab standard.
- 6 KV surge protection for PoE ports.
- PoE output power management.
- Up to 300 m long-range transmission.
- PoE watchdog to auto detect and restart the cameras that do not respond.
- Port isolation to improve network security.
- Wider temperature (-30 to 65 °C) access design.
- Wire-speed forwarding.
- Store-and-forward switching.
- Solid high-strength metal shell.
- Reliable fan-free design.

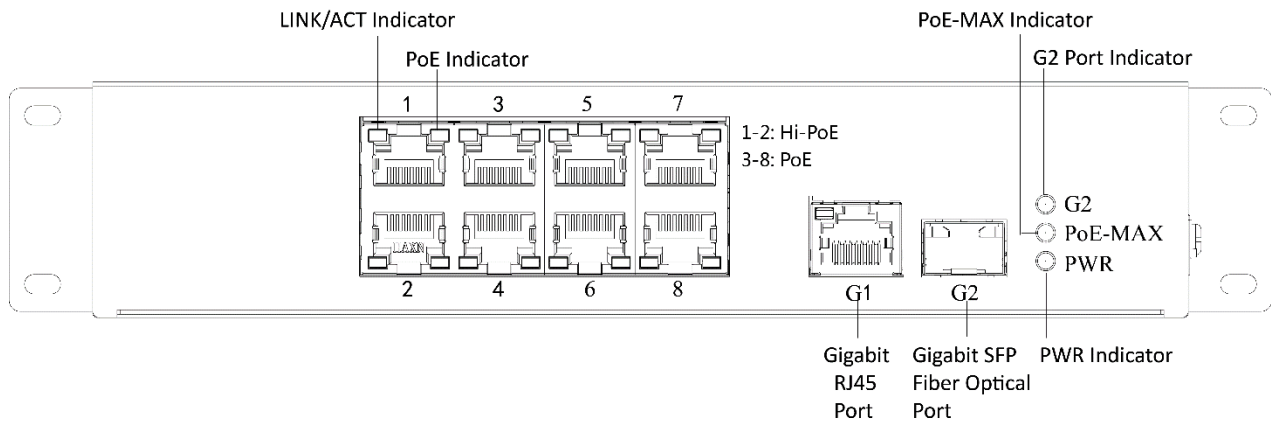


## Specification

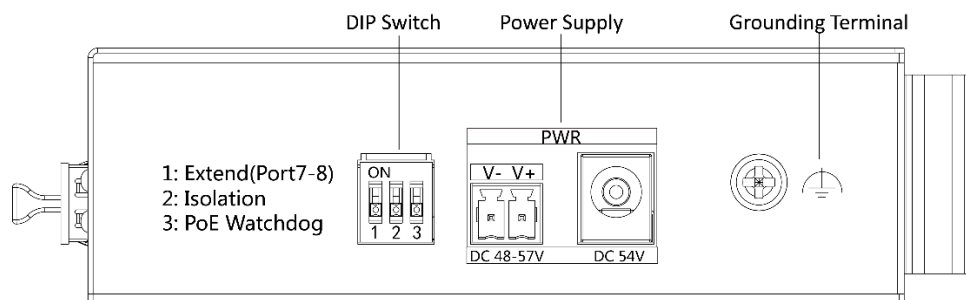
| Model              |                                      | DS-3T0310HP-E/HS  |
|--------------------|--------------------------------------|---|
| Network parameters | Port number                          | 6 × 100M PoE ports, 2 × Hi-PoE port, 1 × gigabit RJ45 port and 1 × gigabit SFP fiber optical port   |
|                    | Port type                            | RJ45 port, full duplex, MDI/MDI-X adaptive  |
|                    | Standard                             | IEEE 802.3, IEEE 802.3u, IEEE 802.3x, IEEE 802.3z and IEEE 802.3ab  |
|                    | Forwarding mode                      | Store-and-forward switching   |
|                    | Working mode                         | Standard mode (default), Extend mode, Isolation mode, PoE watchdog mode   |
|                    | Ports for long-distance transmission | Ports 7 and 8   |
|                    | MAC address table                    | 2 K   |
|                    | Switching capacity                   | 5.6 Gbps  |
|                    | Packet forwarding rate               | 4.1664 Mpps   |
|                    | Internal cache                       | 1.0 Mbits   |
| PoE power supply   | PoE standard                         | Ports 1 and 2: IEEE 802.3af, IEEE 802.3at, IEEE 802.3bt<br>Ports 3 to 8: IEEE 802.3af, IEEE 802.3at   |
|                    | PoE power pin                        | Ports 1, 2, 7 and 8: Ethernet cables 1/2/3/6 and 4/5/7/8 provide power supply simultaneously.<br>Ports 3 to 6: Ethernet cables 1/2/3/6 provide power supply.                          |
|                    | PoE port                             | Ports 3 to 8  |
|                    | Hi-PoE port                          | Ports 1 and 2   |
|                    | Max. port power                      | Ports 1 and 2: 90 W<br>Ports 3 to 8: 30 W   |
|                    | PoE power budget                     | 110 W   |
| Dialing function   | Long range                           | Ports 7 and 8: up to 300 m.   |
|                    | Port isolation                       | Ports 1 to 8: port isolation mode to improve network security.  |
|                    | PoE watchdog                         | Ports 1 to 8: auto detect and restart the cameras that do not respond.  |
| General            | Shell                                | Metal material, fan-free design   |
|                    | Gross weight                         | 1.24 kg (2.73 lb)   |
|                    | Net weight                           | 0.565 kg (1.25 lb)  |
|                    | Dimension (L × H × D)                | 197 mm × 114.2 mm × 42.2 mm (7.76" × 4.50" × 1.66")   |
|                    | Operating temperature                | -30 °C to 65 °C (-22 °F to 149 °F)  |
|                    | Storage temperature                  | -40 °C to 85 °C (-40 °F to 185 °F)  |
|                    | Operating humidity                   | 5% to 95% (no condensation)   |
|                    | Storage humidity                     | 5% to 95% (no condensation)   |
|                    | Power supply                         | 48 to 57 VDC, 2.5 A Max.  |
|                    | Power consumption in idle            | < 10 W  |
|                    | Max. power consumption               | 120 W   |
|                    | Power source                         | 120 W   |
| Approval           | EMC                                  | FCC (47 CFR Part 15, Subpart B); CE-EMC (EN 55032: 2015, EN 61000-3-2: 2014, EN 61000-3-3: 2013, EN 55024: 2010 +A1: 2015); RCM (AS/NZS CISPR 32: 2015); IC (ICES-003: Issue 6, 2016) |
|                    | Safety                               | UL (UL 60950-1); CB (IEC 60950-1:2005 + Am 1:2009 + Am 2:2013); CE-LVD (EN 60950-1:2005 + Am 1:2009 + Am 2:2013)  |
|                    | Chemistry                            | CE-RoHS (2011/65/EU); WEEE (2012/19/EU); Reach (Regulation (EC) No 1907/2006)   |

## Physical Interface

Front panel:



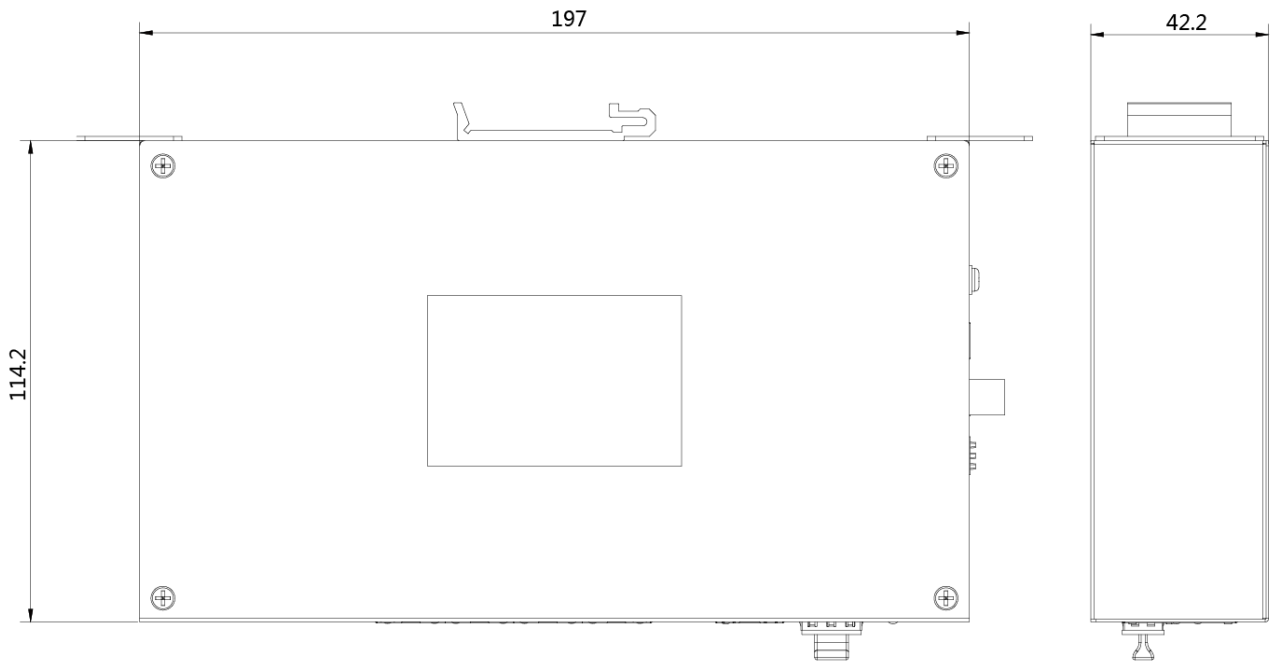
Back panel:



## Available Model

DS-3T0310HP-E/HS

Dimension (unit: mm)

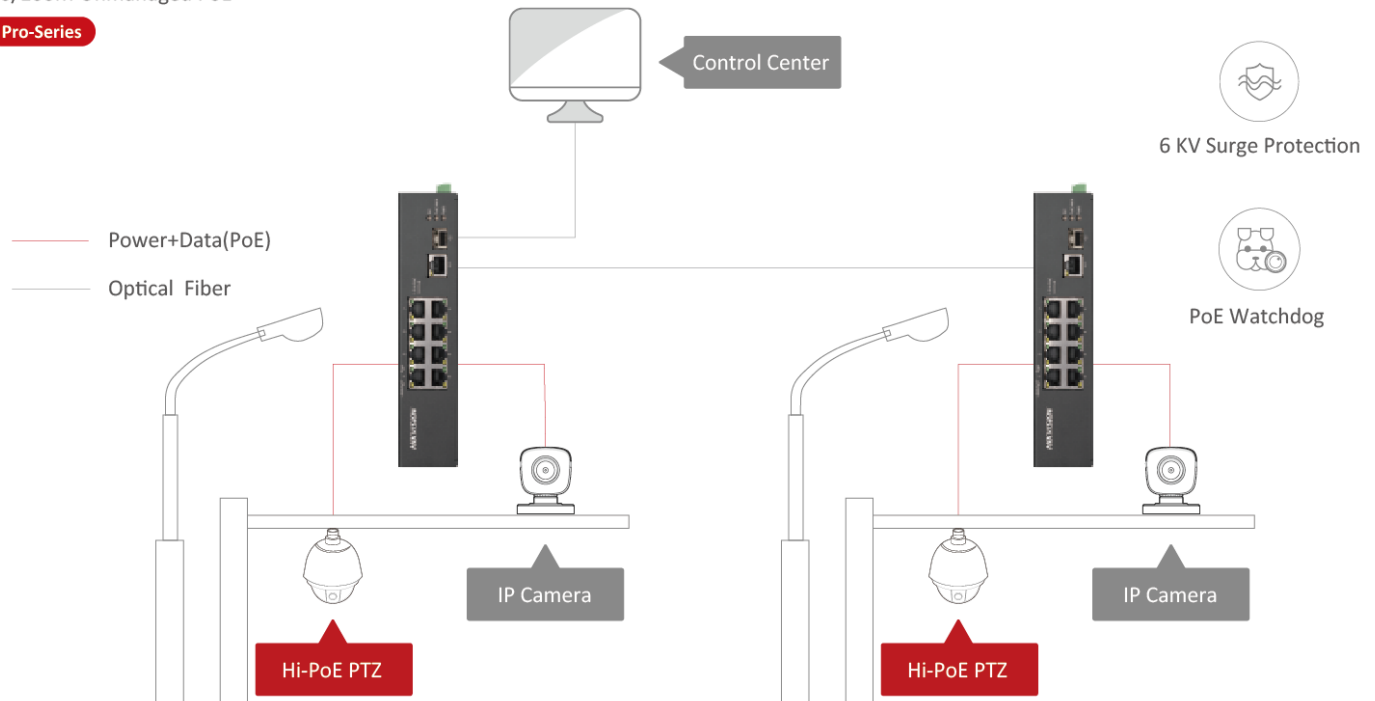


# Typical Application

## 8-Port 10/100M PoE

10/100M Unmanaged PoE

Pro-Series



Distributed by



# HIKVISION®

**Headquarters**

No.555 Qianmo Road, Binjiang District,  
Hangzhou 310051, China  
T +86-571-8807-5998  
overseasbusiness@hikvision.com

**Hikvision USA**  
T +1-909-895-0400  
sales.usa@hikvision.com

**Hikvision Australia**  
T +61-2-8599-4233  
salesau@hikvision.com

**Hikvision India**  
T +91-22-28469900  
sales@pramahikvision.com

**Hikvision Canada**  
T +1-866-200-6690  
sales.canada@hikvision.com

**Hikvision Thailand**  
T +662-275-9949  
sales.thailand@hikvision.com

**Hikvision Europe**  
T +31-23-5542770  
sales.eu@hikvision.com

**Hikvision Italy**  
T +39-0438-6902  
info.it@hikvision.com

**Hikvision Brazil**  
T +55 11 3318-0050  
Latam.support@hikvision.com

**Hikvision Turkey**  
T +90 (216)521 7070- 7074  
sales.tr@hikvision.com

**Hikvision Malaysia**  
T +601-7652-2413  
sales.my@hikvision.com

**Hikvision UK & Ireland**  
T +01628-902140  
sales.uk@hikvision.com

**Hikvision South Africa**  
Tel: +27 (10) 0351172  
sale.africa@hikvision.com

**Hikvision France**  
T +33(0)1-85-330-450  
info.fr@hikvision.com

**Hikvision Kazakhstan**  
T +7-727-9730667  
nikia.panfilov@hikvision.ru

**Hikvision Vietnam**  
T +84-974270888  
sales.vt@hikvision.com

**Hikvision UAE**  
T +971-4-4432090  
salesme@hikvision.com

**Hikvision Singapore**  
T +65-6684-4718  
sg@hikvision.com

**Hikvision Spain**  
T +34-91-737-16-55  
info.es@hikvision.com

**Hikvision Tashkent**  
T +99-87-1238-9438  
uzb@hikvision.ru

**Hikvision Hong Kong**  
T +852-2151-1761  
info.hk@hikvision.com

**Hikvision Russia**  
T +7-495-669-67-99  
saleru@hikvision.com

**Hikvision Korea**  
T +82-[0]31-731-8817  
sales.korea@hikvision.com

**Hikvision Poland**  
T +48-22-460-01-50  
info.pl@hikvision.com

**Hikvision Indonesia**  
T +62-21-2933759  
Sales.Indonesia@hikvision.com

**Hikvision Colombia**  
sales.colombia@hikvision.com