



EV2430-GY

Your advantages



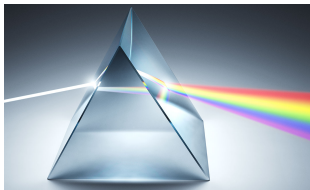
The perfect all-rounder for the office. The FlexScan EV2430-GY is your ideal assistant in the office for everyday work. This handy all-rounder features power managing functionality and an ergonomic design and it's easy on your eyes for long days in the office. It features three signal ports to connect to computers. In addition, there is a USB hub and headphone/audio jacks that are situated on the side of the monitor. Modern IPS technology enables the FlexScan EV2430-GY to offer horizontal and vertical viewing angles of 178°. Auto EcoView, the brightness sensor, prevents disruptive glaring and reduces strain on the eyes. It also detects changes in the ambient light, automatically adjusting the screen brightness throughout the course of the day.

- ✓ A 24-inch LCD monitor with 16:10 aspect ratio and LED technology in an ergonomic, space-saving design
- ✓ Contrast 1000:1, brightness 300 cd/m²
- ✓ Auto EcoView, EcoView Index, EcoView Sense, and EcoView Optimizer for maximum power savings and superb ergonomics
- ✓ Integrated speakers and headphone jack
- ✓ USB hub with one upstream and two downstream ports
- ✓ DisplayPort, DVI-D, and D-sub ports for digital and analogue connections

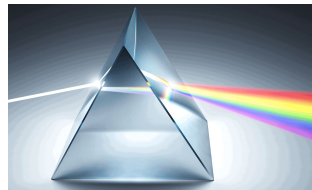
Features

Precise colour control

An image can only be perfect if the colours are, too. This is why EIZO office monitors have a 10-bit look-up table at a minimum, which allows the colour information to be assigned much more precisely than with conventional 8-bit LUTs. The finest colour gradations ensure that gradients are always perfectly displayed, while also offering customised adjustment options. For example, you can adjust the white balance from 4000 K to 10000 K in 500-K intervals.



Look-Up-Table with 10 and more bit



Look-Up-Table with 8 bit

Save electricity and your eyes with Auto EcoView

Brilliant in all light conditions: The Auto EcoView function adjusts the brightness of the monitor to the changing ambient light fully automatically by using a sensor. In bright light, it increases image brightness; at darker times, it reduces it. The benefits: Annoying glare is reduced, objects on the monitor will be easier to perceive, and your eyes will not get tired as quickly.

Of course, it is also possible to control the monitor manually. EcoView Index is used for orientation on how environmentally friendly your settings are. In this way, you can control your electricity consumption yourself.

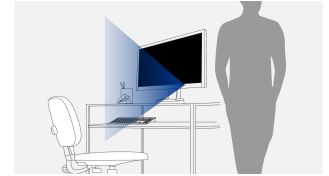
EcoView Sense: Motion sensor as an electricity-saving function

You can use the motion sensor (EcoView Sense) to save electricity and reduce your energy costs. The principle behind this: When you are sitting in front of the screen, the monitor is be-

ing used. When you leave your workstation, it automatically switches to energy-saving mode. As soon as you return, it is re-activated – fully automatically thanks to the motion sensor.



Sensor identifies a person at the workstation



Sensor identifies that the workstation has been vacated

Save up to 30% of energy with the EcoView Optimizer

Save electricity without compromising quality: The EcoView Optimizer reduces the background lighting fully automatically for dark images. This reduces electricity consumption by up to 30%. At the same time, the signal is amplified and the colour tone values adjusted. The result: You will enjoy the image quality you are used to but consume less power.

Zero-Watt consumption thanks to the power switch

The monitors have an integrated mechanical power switch, which is extremely practical and energy-saving: If you switch off the monitor using the power switch, the device will stop consuming any power at all. Moreover, it consumes a maximum of 0.3 watt in standby mode.

Flicker free: for the sake of the eyes

To help protect your eyes, EIZO has developed a hybrid technology to control the backlight. This combines the benefits of the otherwise standard PWM (pulse width modulation) and DC (direct current) control. The PWM control uses much higher frequencies than standard PWM methods. The result: a flicker-free viewing experience. Flickering is reduced down to absolute freedom from flickering, without impairing image quality or colour stability.

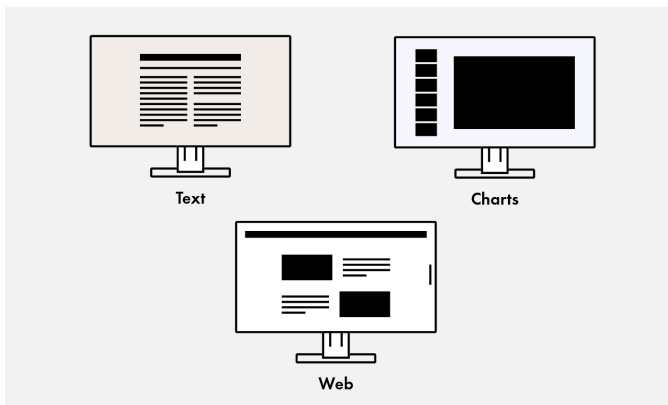
One monitor, many ports

It doesn't get easier than this: You can connect most of your devices, such as PC, laptop or cameras directly to the monitor because the monitor has a number of different ports. That makes your daily work easier.

Features

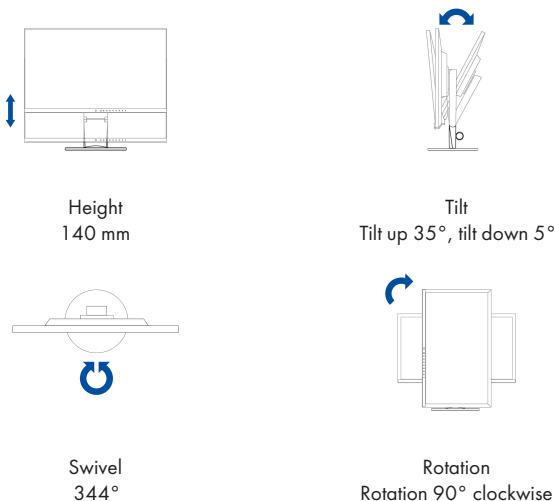
Preset colour modes: Optimised display at the press of a button

Preset colour modes make it easier for you to work and view images, texts and videos. This is because when choosing colour settings, it makes a difference whether you are looking at a film, editing an image, surfing the Internet or writing texts. You can configure the respective default settings for brightness, gamma correction and colour temperature at the press of a button. For example, paper mode simulates the pleasant contrast of books by reducing the blue light portion and brightness. This reduces wear on your eyes when reading documents and prevents tiredness.



Flexible base

Ergonomic and stable: the adjustable stand focuses on ergonomics. You can rotate, swivel and tilt the monitor stand until you find the most comfortable setting for your back, neck and sitting posture. It features continuous height adjustment and can be lowered almost to the base plate of the stand, enabling you to position the top image line ergonomically right below your eye level.



Anti-glare coating: more image, less reflection

The EV2430-GY offers a surface with optimal anti-glare coating. By minimising glare from the spread of the reflected light, the anti-glare coating effectively protects your eyes from straining. This keeps your eyes from getting as tired and allows you to sit comfortably in front of the screen, without having to sit in a forced position to prevent glare.

Five-year warranty

EIZO grants a five-year warranty.* This is possible thanks to the highly developed production process based on a simple principle of success: sophisticated and innovative monitor technology, made from high-end materials.

* in Belgium: including on-site replacement service



Specification

General

Item no.	EV2430-GY
Case color	Light grey
Areas of application	Office, Gaming
Product line	FlexScan
EAN	4995047052982
Variants	EV2430-BK (Colour: Black)

Display

Screen size [in inches]	24.1
Screen size [in cm]	61.1
Format	16:10
Viewable image size (width x height)	518 x 324
Ideal and recommended resolution	1920 x 1200
Pixel pitch [mm]	0.27 x 0.27
Resolution supported	1920 x 1200, 1600 x 1200, 1680 x 1050, 1280 x 1024, 1024 x 768, 800 x 600, 720 x 400, 640 x 480
Panel technology	IPS
Max. viewing angle horizontal	178 °
Max. viewing angle vertical	178 °
Number of colours or greyscale	16.7 million colours (display port, 8 Bit), 16.7 million colours (DVI, 8 Bit), 16.7 million colours (D-Sub, 8 Bit)
Colour palette/look-up table	1.06 billion colour tones / 10 Bit
Max. colour space (typical)	sRGB
Max. brightness (typical) [in cd/m ²]	300
Max. dark room contrast (typical)	1000:1
Typical response time [grey/grey alternation]	14 ms
Max. refresh rate [in hertz]	60
Backlight	LED

Features & control

Preset colour/greyscale modes	sRGB, Paper, Movie, 2x free modes for user selection
EcoView Sense	✓
Auto EcoView	✓
EcoView Index	✓
EcoView Optimizer	✓
No flickering thanks to hybrid controls	✓
HDCP Decoder	✓
Input signal identification	✓
Built-in speakers	✓
OSD language	de, en, fr, es, it, se, ja, zh
Adjustment options	Brightness, Contrast, Gamma, All EcoView functions, Colour saturation, Colour temperature, Colour Mode, Colour tone, Signal input, Resolution, Audio source, Smoothing, OSD language, Interpolation, Volume
Integrated power unit	✓

Ports

Signal inputs	DisplayPort (HDCP 1.3), DVI-D (HDCP 1.4), D-sub
USB specification	USB 2.0
USB upstream ports	1 x type B
USB downstream ports	2 x type A
Video signal	DisplayPort, DVI (TMDS), RGB Analog
Sync formats	Separate
Audio input	3.5 mm stereo jack, DisplayPort
Audio output	3.5 mm stereo jack

Certification & standards

Certification	CE, CB, TCO certified 8.0, EPA Energy Star, TÜV/GS, TÜV/Ergonomics (including ISO 9241-307), TÜV/Blue Low Light Content, TÜV/Flicker Free, EPEAT 2018 (US), cTÜVus, TÜV/S, EAC, PSE, FCC-B, CAN ICES-3 (B), RCM, VCCI-B, CCC, RoHS, China RoHS, WEEE
---------------	--

Electric data

Frequency	Dsub: 31-76 kHz/55-61 Hz; Display Port: 31-76 kHz/59-61 Hz; DVI-D: 31-76 kHz/59-61 Hz
Power consumption (typical) [in watt]	12
Maximum Power Consumption [in watt]	36 (at maximum brightness with all signal inputs and USB ports in use)
Power Save Mode [in watt]	0.3
Power consumption off [in watt]	0
Energieeffizienzklasse	E
Energy consumption/1000h [in kWh]	15
Power supply	AC 100-120 V / 200-240 V, 50/60 Hz

Dimensions & weights

Dimensions [mm]	553 x 368-499 x 233
Weight [in kilograms]	6.7
Dimensions without stand [mm]	553 x 358 x 57
Weight without stand [in kilograms]	4.3
Housing dimension details	Dimension drawing (PDF)
Swivel	344 °
Incline forward/backward	5 ° / 35 °
Pivot	✓ 90 °
Height adjustment range [mm]	140
Hole spacing	VESA standard 100 x 100 mm

Software & accessories

Accompanying software and other accessories are available for download	ScreenManager PRO, ScreenSlicer
Additional supply	Power cord, Signal cable DVI-D - DVI-D, Signal cable DisplayPort - DisplayPort, Quick guide
Accessories	EIZO ScreenCleaner (for the best possible clean without scratching the monitor), TC-BRACKET-BK (Thin Client bracket for EIZO Flexstand 3 base), PM200-K (DisplayPort cable to transfer digital video and audio signals.)

Warranty

Warranty and service	5 years warranty*
----------------------	-------------------

Terms

*) Maximum of 30,000 hours of operation from the date of purchase.